



User Manual

30" Pedestal Fan

Model: FFPD30-S-DP



PLEASE READ AND SAVE THESE INSTRUCTIONS

Attention: Pictures in this manual are for reference only.

MADE IN CHINA

INTENDED USE

This product is intended for indoor residential, office, industrial, or other commercial applications. Use only with electrical wiring that is in good working order and that meets applicable codes and ordinances. If you have any questions whether your wiring is adequate, consult a qualified electrician.

While using your fan, you should follow the **IMPORTANT INSTRUCTIONS** listed below. As part of those instructions, we have used the word "**WARNING**" to indicate the level of hazard: WARNING indicates a hazard which, if not avoided, could result in injury or death.

IMPORTANT INSTRUCTIONS

As with all electrical appliances, basic safety precautions should always be followed to reduce the risk of electric shock, fire, or injury to persons, including the following precautions:

- Read all the instructions before using this fan.
- Use this fan only as described in this manual. Any other use not recommended by the manufacturer may cause electrical shock, fire or injury to persons.
- Do not operate the fan with a damaged power cord or after the fan malfunctions or has been dropped in any manner.
- Use of extreme caution is necessary when any fan is used by or near children, disabled persons or pets and whenever the fan is left operating unattended.
- Do not place the fan on a small, unlevel, uneven or any surface which might allow fan to tip or fall.
- For proper operation, fan should be placed on a smooth, non- combustible, level surface.
- Always unplug fan when not in use, when moving from place to place, when assembling or disassembling parts, and before cleaning.
- The use of attachments, not recommended or sold by the manufacturer, may cause hazards.
- Do not use outdoors.
- Do not use fan in window. Rain may cause electrical hazard (for non-window models).
- Do not operate the fan with blade guards or any safety device removed.
- Do not run power cord under carpeting. Do not cover cord with throw rugs, runners or the like. Arrange cord away from traffic area where it will not be tripped over.
- Do not insert or allow any object to enter any openings on the fan. Doing so may cause electric shock and/or fire hazard. Avoid contact with moving parts.

READ & SAVE THESE INSTRUCTIONS

WARNING: Shock Hazard

Use your fan only in dry environments. This fan is not intended for use in a bathroom, laundry area, or similar locations, or near sinks, washing machines, swimming pools or other sources of water. Never locate fan where it may fall into a bathtub or other water receptacle. Do not use in damp environments such as flooded basements.

WARNING: Hot Surfaces

Do not touch fan motor when in use. This motor is hot when in use, to avoid burns, do not let bare skin touch hot surfaces.

WARNING: Fire Hazard

Fans have arcing or sparking parts inside. Do not use near combustible materials or flammable gases or sources of heat. DO NOT USE in areas where gasoline, paint or flammable materials are used or stored. To prevent a possible fire, do not block air intakes or exhaust in any manner.

DO NOT insert or allow foreign objects to enter any ventilation or exhaust opening as this may cause an electric shock, fire, or damage the fan.

WARNING: Electrical Shock Hazard

DO NOT use with damaged cord or plug. Use with adequate electrical system that is up to code.

CAUTION: to Prevent Electric Shock, this product has a three-prong grounded plug that must be inserted into a matching properly grounded outlet to reduce the risk of electrical shock. Do not attempt to defeat this safety feature.

DO NOT operate any fan with a damaged cord or plug or after fan malfunctions, has been dropped or damaged in any manner.

Unplug the fan when not in use. Do not operate fan with its ventilation obstructed.

WARNING:

1. To reduce the risk of fire or electric shock, do not use this fan with any solid-state speed control device.
2. This appliance has a ground plug which is intended to fit in an outlet only one way. If this does not fit outlet contact a qualified electrician. Do not attempt to by-pass this procedure.
3. This product is used for indoor.
4. Unplug from electrical supply source before cleaning.
5. If the power cord is damaged, contact your local qualified electrician to install an appropriate replacement cord to prevent any injury or damage.
6. This appliance is not intended for use by persons (including children) with reduced physical, sensory or mental capabilities, or lack of experience and knowledge, unless they have been given supervision or instruction concerning use of the appliance by a person responsible for their safety.
7. Children should be supervised to ensure that they do not play with the appliance.

RULES FOR SAFE OPERATION

1. Never insert fingers, pencils, or any other object through the guard when fan is running.
2. Disconnect the fan when moving from one location to another.
3. Disconnect the fan when removing guards for cleaning.
4. Be sure fan is on a stable surface when operating to avoid overturning.
5. DO NOT use fan in window. Rain may create electrical hazard.
6. The fan is for commercial use only.
7. Do not leave the fan running unattended.

OPERATING INSTRUCTIONS

Fan Operation: Always operate the fan in the upright position following all instructions and recommendations listed in this manual.

Fan Connection: Plug fan directly into 120-volt A.C., 60 Hz wall outlet. Be sure plug fits tightly in outlet. A loose connection may cause overheating and damage to the plug or fan.

Note: To prevent overloading a circuit, do not plug the fan into a circuit that is servicing other electrical needs.

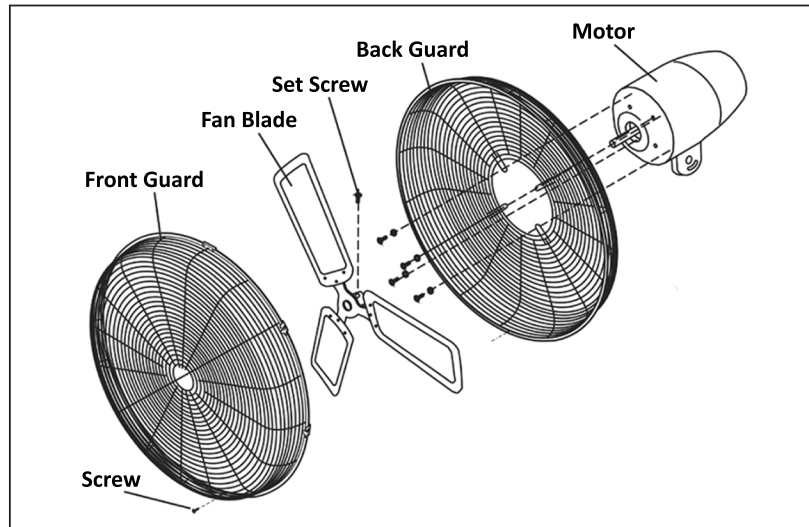
Speed Control: Pull the string on the motor to set desired speed.

To Adjust Airflow Upward or Downward: Loosen the position screw first and then loosen the pivot nut. Tilt motor to the desired angle then firmly tighten the pivot nut first and then tighten the position screw.

ASSEMBLE INSTRUCTIONS

Fan Assembly Instructions:

1. Attach the back guard to the fan motor, using the four screws and washers provided.
2. Attach the fan blade to the motor shaft and tighten the set screw securely to hold it in place.
3. Attach the front guard to the back guard using the screws provided.



Installing the Optional Wheels:

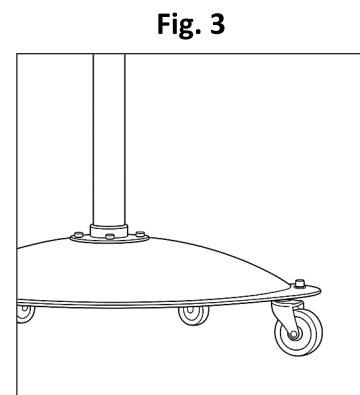
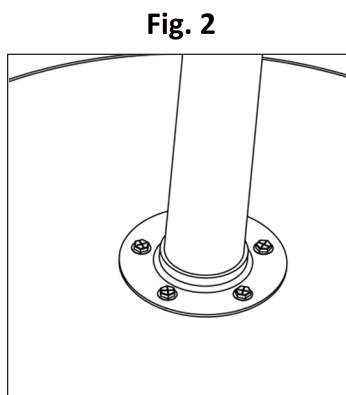
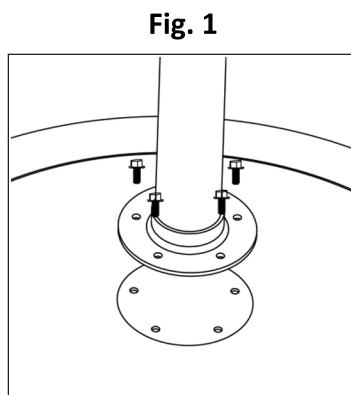
The wheels (2 locking wheels and 2 regular wheels) are included for convenience but are not required for fan operation. If you choose to use them, install the wheels onto the fan base before attaching the stand pipe.

1. Align the wheel posts with the holes on the fan base. Insert each wheel post through the hole, then place a washer over the post and secure it with the nut. Repeat for all four wheels.
2. Tighten all nuts securely to ensure the wheels are firmly attached to the fan base. See Fig. 3.
3. To prevent the fan from moving, engage the locks on both locking wheels.

Caution: When the wheels are installed, the fan base may be less stable. Do not climb on or put weight on one side of the base when moving the fan. Always move the fan carefully to avoid tipping.

Stand and Base Assembly:

1. Align holes on the coupler of the stand pipe with holes on the fan base. Insert screws with nuts from the accessories bag, see Fig. 1.
2. Tighten all screws to the fan base securely, see Fig. 2.



Stand Assembly:

1. Remove the two screws from the extension pipe adjuster at the top of the stand pipe, see Fig. 4.
2. Insert the extension pipe into the outer stand pipe.
3. Align the two adjuster holes on the outer stand pipe with the holes on the inner extension pipe and secure the adjuster with two the screws removed in step 1, see Fig. 4 & 5.
4. Adjust the extension pipe to desired height. Tighten the Hex bolt to set the height.

Fig. 4

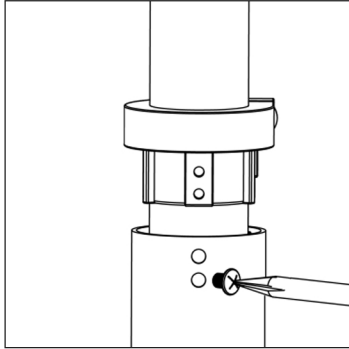
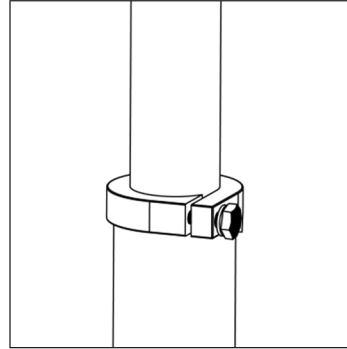


Fig. 5



Stand and Motor Assembly:

1. Remove the bolts, flat washers, and nuts from the extension pipe.
2. Align the upper round hole on the extension pipe with the round hole on the motor bracket, see Fig. 6.
3. Insert the bolt and replace the flat washer and nut that were removed in step 1.
4. Adjust the fan head to the desired tilting angle and insert the bolt through the lower square hole on the extension pipe assembly with the cambered slot on the motor bracket. Secure with the flat washer, lock washer, and nut, see Fig. 7 & 8.
5. Tighten the bolts and nuts.
6. Repeat steps 3 to 5 to adjust the airflow upward or downward.

Fig. 6

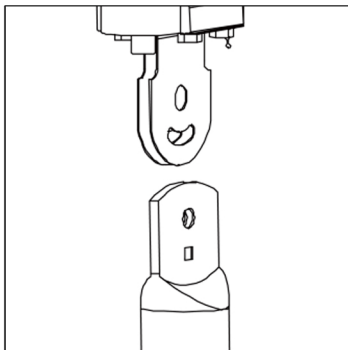


Fig. 7

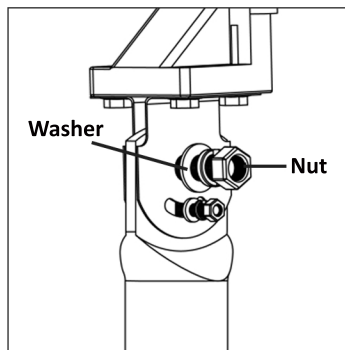
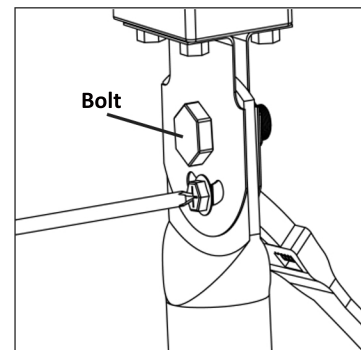


Fig. 8



CARE AND MAINTENANCE

Cleaning: CAUTION - Before cleaning the fan be sure to disconnect power cord from the plug. Clean the guard surface with a clean damp cloth. Do not use harsh chemical or abrasive cleaners. **DO NOT IMMERSE THE FAN OR ANY WIRES IN WATER.** Replace front guard before fan use.

Allow fan to dry completely before use. Periodic guard cleaning with a vacuum will prevent dust build up. The motor is sealed and does not require any interior maintenance, cleaning or lubrication.

Maintenance: The Internal motor bearings are permanently lubricated at the factory and do not require any additional lubrication.

Repair: DO NOT OPERATE THE FAN WITHOUT THE GUARD IN PLACE. DO NOT USE THE FAN IF IT HAS MALFUNCTIONED OR BECOME DAMAGED IN ANY WAY.

Storage: Keep original carton for storage of the fan. Coil and tie the power cord to avoid damage during storage.

BANVIL LIMITED WARRANTY

Banvil warrants to the original purchaser that this product is free from defects in materials and workmanship for a period of 12 months from the date of purchase from Banvil, or 24 months from the date of manufacture, whichever occurs first.

In the event of such a defect, Banvil will, at its discretion, repair or replace the product. To qualify for warranty service, please contact **returns@banvil2000.com** with the reason for return, supporting pictures, and proof of purchase. If the issue is deemed warranty-related, the product must be returned prepaid to:

Banvil

470 Industrial Ave.
Woodstock, ON N4S 7L1

This warranty does not cover labor costs or shipping of the product back to Banvil. The warranty is void if the product has been improperly installed, abused, or altered in any way.

Banvil limits the duration of any implied warranties and excludes any liability for incidental or consequential damages arising from the breach of any warranty on this product.