



User Manual

Pedestal Base

Model: FFPD-BASE-1



PLEASE READ AND SAVE THESE INSTRUCTIONS

Attention: Pictures in this manual are for reference only.

MADE IN CHINA

ASSEMBLE INSTRUCTIONS

Installing the Optional Wheels:

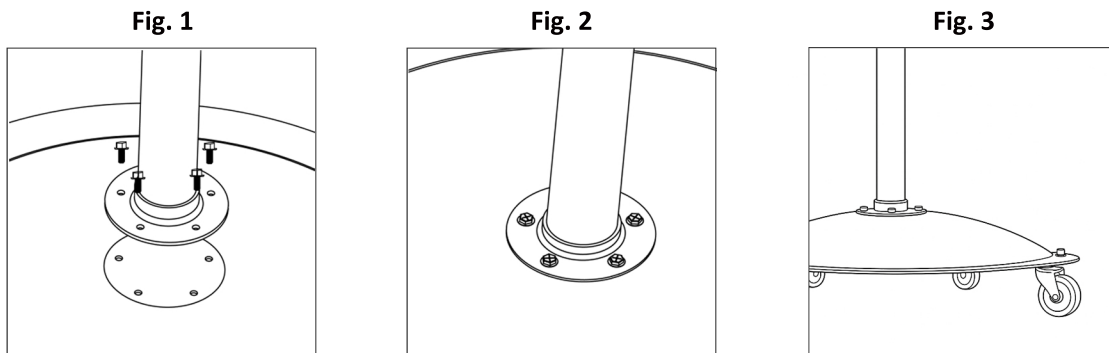
The wheels (2 locking wheels and 2 regular wheels) are included for convenience but are not required for fan operation. If you choose to use them, install the wheels onto the fan base before attaching the stand pipe.

1. Align the wheel posts with the holes on the fan base. Insert each wheel post through the hole, then place a washer over the post and secure it with the nut. Repeat for all four wheels.
2. Tighten all nuts securely to ensure the wheels are firmly attached to the fan base. See Fig. 3.
3. To prevent the fan from moving, engage the locks on both locking wheels.

Caution: When the wheels are installed, the fan base may be less stable. Do not climb on or put weight on one side of the base when moving the fan. Always move the fan carefully to avoid tipping.

Stand and Base Assembly:

1. Align holes on the coupler of the stand pipe with holes on the fan base. Insert screws with nuts from the accessories bag, see Fig. 1.
2. Tighten all screws to the fan base securely, see Fig. 2.



Stand Assembly:

1. Remove the two screws from the extension pipe adjuster at the top of the stand pipe, see Fig. 4.
2. Insert the extension pipe into the outer stand pipe.
3. Align the two adjuster holes on the outer stand pipe with the holes on the inner extension pipe and secure the adjuster with two the screws removed in step 1, see Fig. 4 & 5.
4. Adjust the extension pipe to desired height. Tighten the Hex bolt to set the height.

